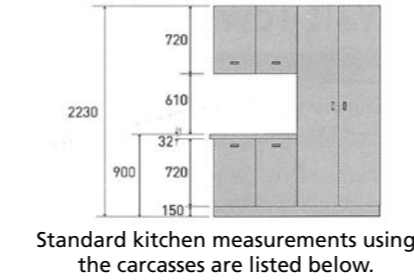


Kitchen Box manufacture all their carcasses using 16mm High Moisture resistant particle board. They are assembled using a screw and dowel system. Instructions are included.

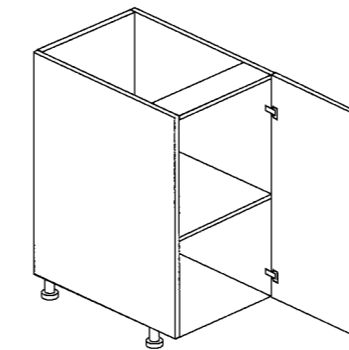
Because all benchtops, door, end panels are made to order and vary due to finishes and styles, please speak to one of our in store consultants to determine a final price for your kitchen.



BASE UNITS

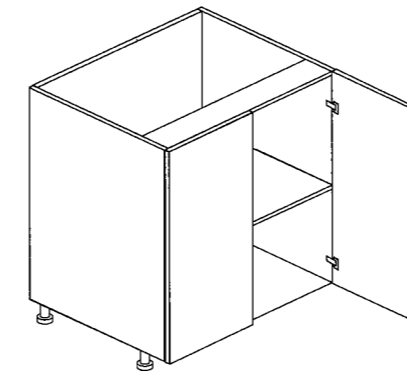
Single Door Unit

Code	(w x d x h)
B25	250 x 560 x 720
B30	300 x 560 x 720
B35	350 x 560 x 720
B40	400 x 560 x 720
B45	450 x 560 x 720
B50	500 x 560 x 720
B55	550 x 560 x 720



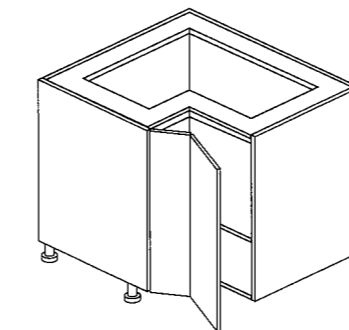
Two Door Unit

Code	(w x d x h)
B60*	600 x 560 x 720
B65*	650 x 560 x 720
B70	700 x 560 x 720
B75	750 x 560 x 720
B80	800 x 560 x 720
B85	850 x 560 x 720
B90	900 x 560 x 720
B100	1000 x 560 x 720



Corner Base Cabinets

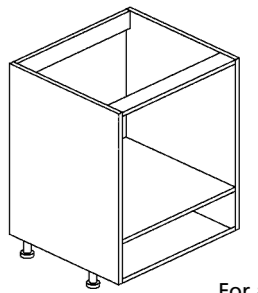
Code	(w x d x h)
BC98	900/800 x 560 x 720
BC90	900/900 x 560 x 720
BC912	900/1200 x 560 x 720 (BC912 is designed for 3 doors)



* 1 or 2 door units available

Under Bench Oven Units

Code	(w x d x h)
BU60	600 x 560 x 720 (To fit a 600 under bench oven)
BU90	900 x 560 x 720 (to fit a 900 under bench oven)

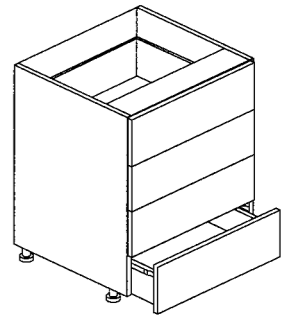


For all other 'non standard' sized ovens, the client needs to trim cabinet to suit

DRAWER UNITS: STANDARD OR SOFT CLOSE

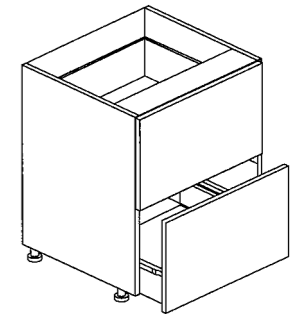
4 Drawer units

Code	(w x d x h)
B4D40	400 x 560 x 720
B4D45	450 x 560 x 720
B4D50	500 x 560 x 720



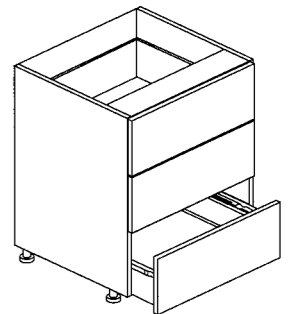
2 Drawer units (two pot drawers)

Code	(w x d x h)
B2D60	600 x 560 x 720
B2D70	700 x 560 x 720
B2D80	800 x 560 x 720
B2D90	900 x 560 x 720



3 Drawer Unit (one cutlery drawer, 2 pot drawers)

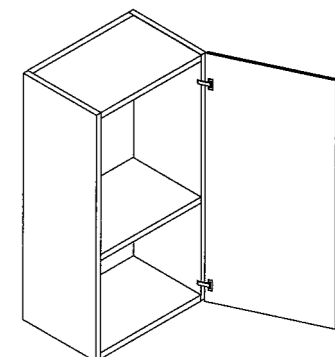
Code	(w x d x h)
B3D60	600 x 560 x 720
B3D70	700 x 560 x 720
B3D80	800 x 560 x 720
B3D90	900 x 560 x 720



OVERHEAD UNITS

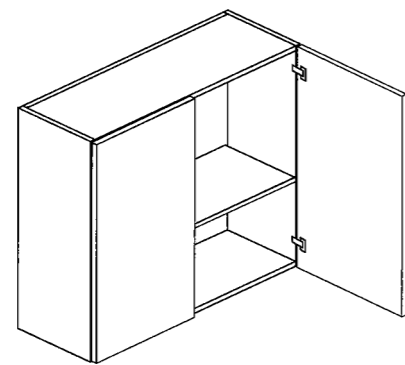
1 Door Wall Units

Code	(w x d x h)
W25	250 x 300 x 720
W30	300 x 300 x 720
W35	350 x 300 x 720
W40	400 x 300 x 720
W45	450 x 300 x 720
W50	500 x 300 x 720
W55	550 x 300 x 720



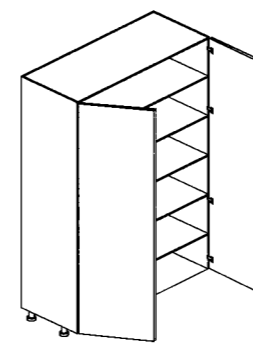
2 Door wall units

Code	(w x d x h)
W60*	600 x 300 x 720
W65*	650 x 300 x 720
W70	700 x 300 x 720
W75	750 x 300 x 720
W80	800 x 300 x 720
W85	850 x 300 x 720
W90	900 x 300 x 720
W100	1000 x 300 x 720
WC60	600/600 x 300 x 720 Corner unit



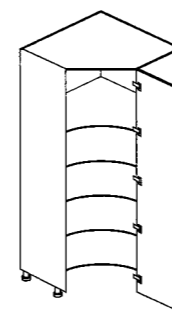
Pantry 2 door

Code	(w x d x h)
TP60*	600 x 583 x 2080
TP80	800 x 583 x 2080
TP90	900 x 583 x 2080
TP100	1000 x 583 x 2080



Corner Pantries (must stipulate LH or RH opening)

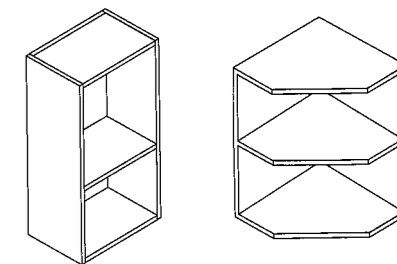
Code	(w x d x h)
TP11	1000/1000 x 589 x 2230



OPEN SHELF UNITS

Open shelf units (made to order in selected colours)

Code	(w x d x h)	
C720	320w x 320d x 720h	Corner Unit
W720	100-1000w x 300d x 720h	Open Shelf Wall Unit
W460	100-1000w x 300d x 460h	Open Shelf Wall Unit
B720	100-1000w x 560d x 720h	Open Shelf Base Unit



These units pre drilled ready for assembly.

WALL TOWER UNIT

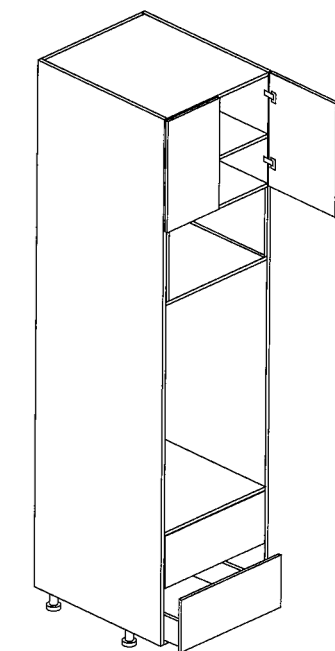
Wall Tower Combination

Comprises of either WO338 (for double wall oven) or WO630 (for single wall oven), MICOB (microwave box) and W4660 (overhead cabinet).

Code	(w x d x h)
WO338	600 x 561 x 338
WO630	600 x 561 x 630
W4660	600 x 300 x 460

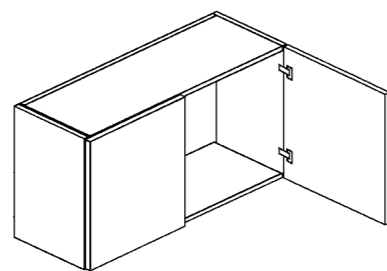
Single drawer to suit a double oven
Two drawer to suit a single oven
Overhead cabinet for either combination

NOTE: Oven space is designed for standard single or double oven. For any special non-standard ovens, we will require the measurements prior to ordering. 42 x 19 timber may be required for fixing of some ovens. Refer to fixing instructions from manufacturer for more information.



OVERHEAD FRIDGE UNITS

Code	(w x d x h)
W46 75	750 x 300 x 460
W46 80	800 x 300 x 460
W46 85	850 x 300 x 460
W46 90	900 x 300 x 460
W46 100	1000 x 300 x 460

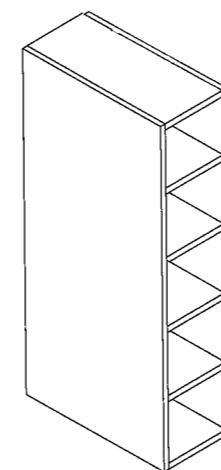


WINE RACKS

Wine racks description

Code	(w x d x h)
WRSS	150w x 318d x 720h
WRFHD	150w x 318d x 2080h

Under/over bench single wine rack
Tall single wine rack

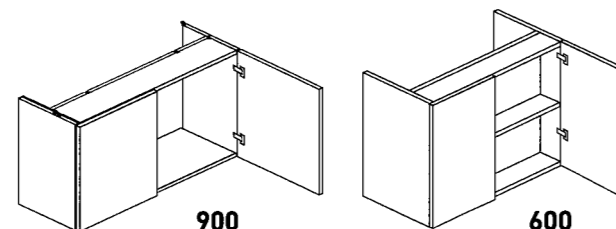


These units pre drilled ready for assembly.

RANGE HOOD UNIT

Code	(w x d x h)
W46 60R	600 x 300 x 460
W46 90R	900 x 300 x 460

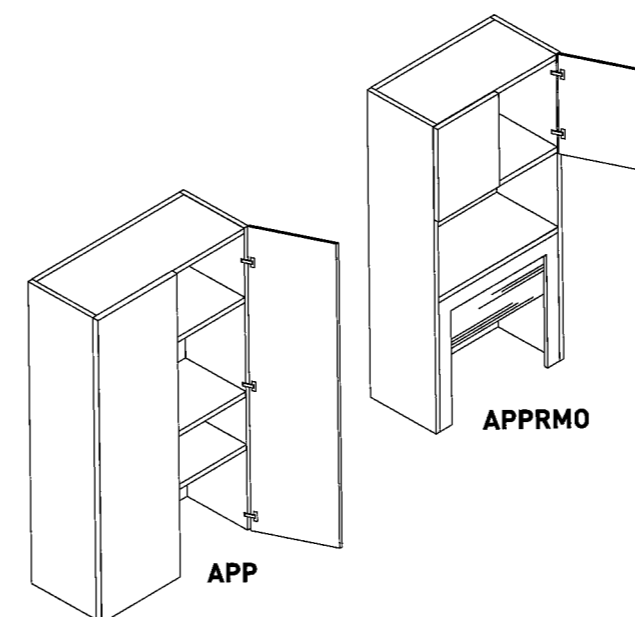
For 600mm slide or fixed range hood.
(Ducting is designed to go behind cabinet)



APPLIANCE CABINETS

Appliance Cabinets

Code	(w x d x h)
APPRM0600	600w x 450d x 1330h
APP600	600w x 450d x 1330h
APP800	800w x 450d x 1330h
APP900	900w x 450d x 1330h



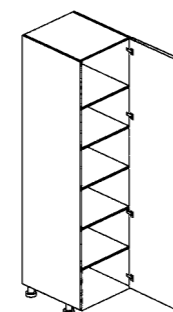
* 1 or 2 door units available.

PANTRY UNITS: BROOM, PULL OUT OR STD PANTRY

Pantry 1 door

Code	(w x d x h)
TP40	400 x 583 x 2080
TP50	500 x 583 x 2080

Includes 1 fixed & 4 adjusted shelves



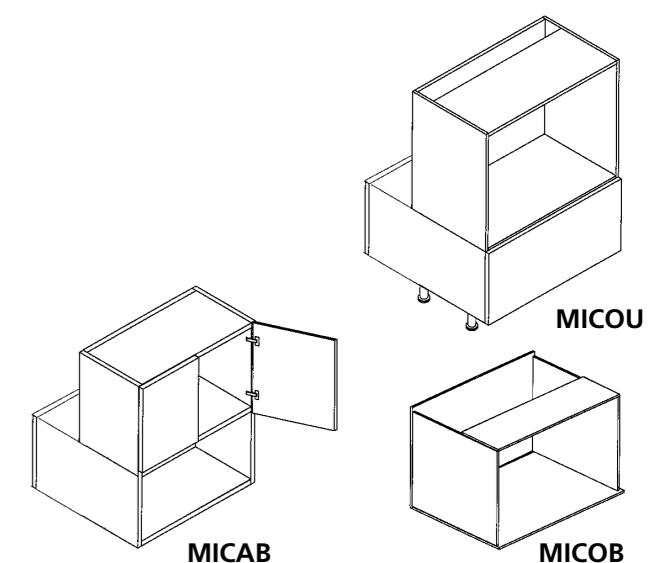
* 1 or 2 door units available.

MICROWAVE BOX UNITS

Microwave box units,
note: standard opening is 354h x 432d x 563w.

Code	(w x d x h)
MICOB	600w x 450d x 390h
MICOU	600w x 560d x 720h
MICAB	600w x 450d x 850h

Standard microwave box
Under bench microwave unit with single drawer
Above bench microwave unit with 460h O/H



All microwave boxes are pre drilled ready for assembly.